

■ INSTALLATION

This product is suitable for installation within a standard 86mm or Europe 60mm pattress box.



For installing or removing the face plate, please be careful that only push corners. Do not push side middle, it may damage this product. Look at the picture, green arrow shows that where must be push out for remove or push in for install.

■ SERVICE

Your Thermostatic keypad switch carries 24 month warranty from date of purchase.

| About smart APEX Company

Founded in 2013, smart APEX company is a developer and manufacturer of home automation components with extensive experience. At smart APEX Company, we always strive for innovation and quality. Under the APEX brand name, the smart APEX company offers a variety of smart system products, including panelize modules, smart light switches, smart dimmers and thermostatic light switch equipped with Z-Wave, ZigBee, CAN-BUS, and TCP/IP protocols. Open communication protocol and available software drivers enable APEX components to be integrated with the best-known platforms.

APEX

“

Calle Núñez Morgado, 4, Bajo Izq., Puerta
93, 28036 Madrid España

Contact Us

Phone

+34 910 601 539

Email

info@smartapex.es

Web

www.smartapex.es



+34 910 601 539

Call For Info

APEX

HOME AUTOMATION



THERMOSTATIC KEYPAD SWITCH

CAN



What is a CAN bus?

A Controller Area Network (CAN) refers to a network of independent controllers. It is a serial communications protocol that efficiently supports distributed real-time control with a very high level of security. The CAN bus standard was developed by Bosch and Intel and the version of the current standard has been in use since 1990

PRODUCT INTRODUCTION

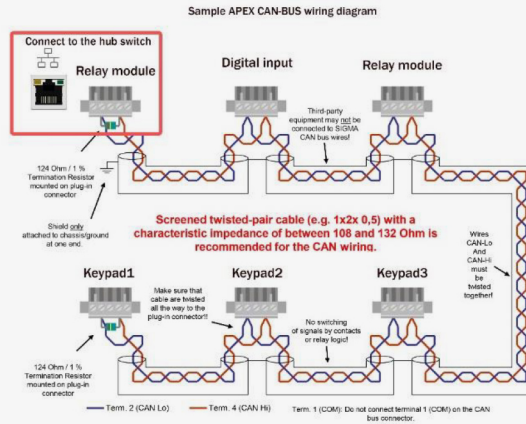
APEX smart thermostatic keypad switch is an intelligent device that can be controlled through a CAN-BUS network. For connecting this product to Control4 it needed to use MINI-IP (if you don't need to use the DIN-RAIL module) or APEX DIN-RAIL modules that work as a gateway. The limitation of nodes (CAN-BUS products) is about 110 units per bus. This product can be used to control two curtain motors at the same time, four-light or three speed fan-coil control. You can assign inside relay to any touch buttons (short or long-press). Dedicated buttons are used for temperature panel control.

SPECIFICATIONS

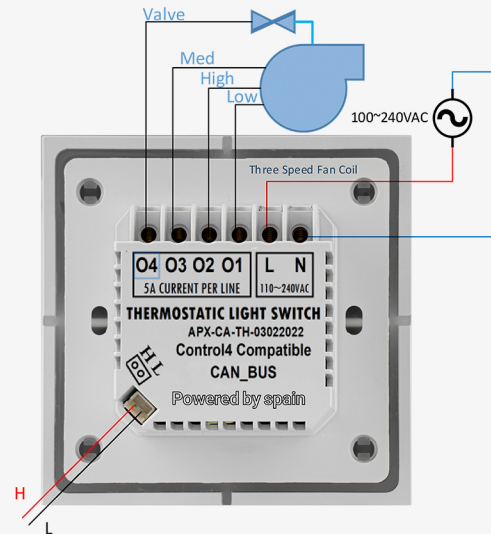
Model number	APX-MZWTK-4C
Power requirement	110 to 240VAC
Power consumption	<1W
Protocol	CAN-BUS
Operational temperature	-10 to +70 °C
Humidity	5% to 90% non-condensing
Weight	0.2 kg
Material	Aluminum
Face plate dimension	86x86mm
Max power output rate	1000W
Number of inside relay	4
Temperature sensor accuracy	+/- 0.1°C Digital sensor

Requirement

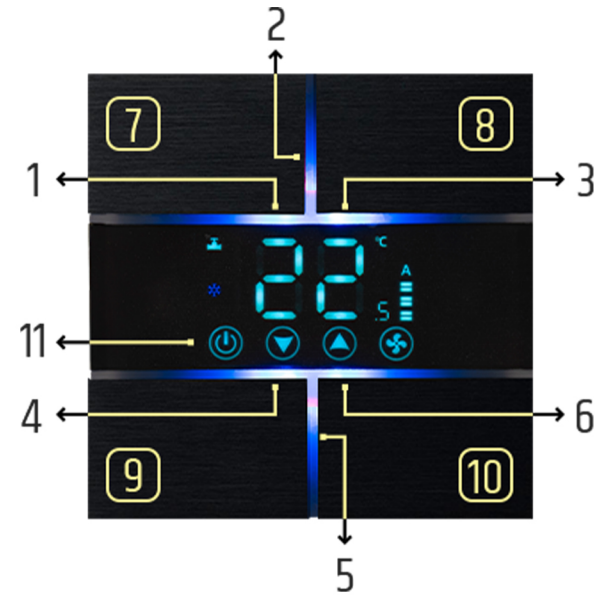
1. APEX MINI-IP or DIN-RAIL module must be available in the project.
2. ALL CAN-BUS devices must be connected together with one twisted pair cable as below schematic.



WIRING DIAGRAM



QUICK REFERENCE



1	Button 1 LED status
2	System status
3	Button 2 LED status
4	Button 3 LED status
5	System status
6	Button 4 LED status
7	Button 1
8	Button 2
9	Button 3
10	Button 4
11	Temperature unit control buttons

Buttons	Description
Button 1	Short press: Make a scene Long press: Make a scene
Button 2	Short press: Make a scene Long press: Make a scene
Button 3	Short press: Make a scene Long press: Make a scene
Button 4	Short press: Make a scene Long press: Make a scene LONG PRESS FOR 12SEC : disable or enable CHILD LOCK

